

**ANCHOR FLUID POWER****Mailing Address:**

5553 Murray Road,  
Cincinnati, OH 45227

**Phone:** 866.FLANGES

**Fax:** 513.527.4449

**E-Mail:** [sales@anchorfluidpower.com](mailto:sales@anchorfluidpower.com)

**Website:** [www.anchorfluidpow.wpengine.com](http://www.anchorfluidpow.wpengine.com)



**ANCHOR  
FLUID POWER®**

AN ANCHOR FLANGE COMPANY

## Item # 16SF-2-S/S, 1.110 Inch (in) Dimension A Flange Only CD61 SAE J518 Split Stainless Steel Flange

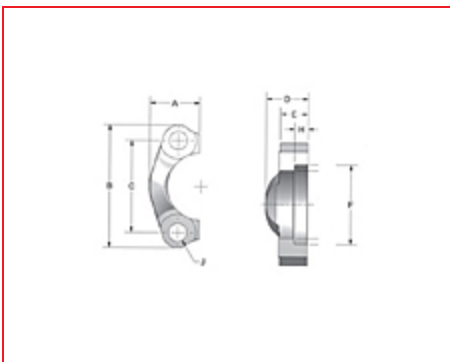
Anchor part # includes: (1) split flange half only.

Kit part # includes: (2) split flange halves, (4) hex head bolts with lock washers, and (1) Fluorocarbon (FKM) O-Ring.

List Price

–

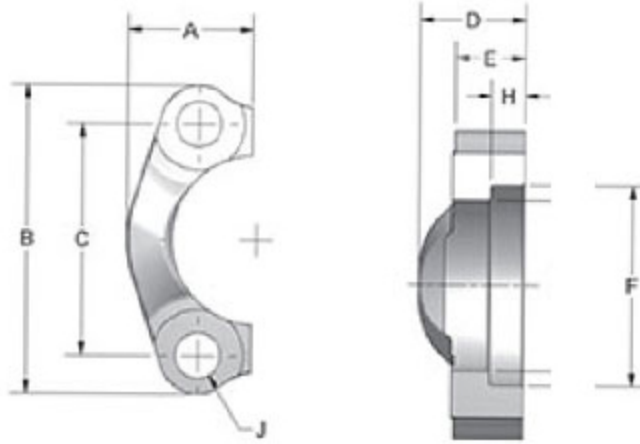
Quote



Specifications

–

## Dimension Drawing



SAE J518 Split Stainless Steel Flanges

**Type** Flange Only

**Material** Stainless Steel

**Code** Code 61

**Flange Size** 1 in

**Dimension A** 1.110 in

**Dimension B** 2.750 in

**Dimension C** 2.062 in

**Dimension D** 0.94 in

**Dimension E** 0.620 in

**Dimension F** 1.781 in

<b>Dimension G</b>	1.515 in
------------------------	----------

<b>Dimension H</b>	0.295 in
------------------------	----------

<b>Dimension J</b>	0.406 in
------------------------	----------