

ANCHOR FLUID POWER**Mailing Address:**

5553 Murray Road,
Cincinnati, OH 45227

Phone: 866.FLANGES

Fax: 513.527.4449

E-Mail: sales@anchorfluidpower.com

Website: www.anchorfluidpow.wpengine.com



**ANCHOR
FLUID POWER®**

AN ANCHOR FLANGE COMPANY

Item # 24SF-2-S/S, 1.580 Inch (in) Dimension A Flange Only CD61 SAE J518 Split Stainless Steel Flange

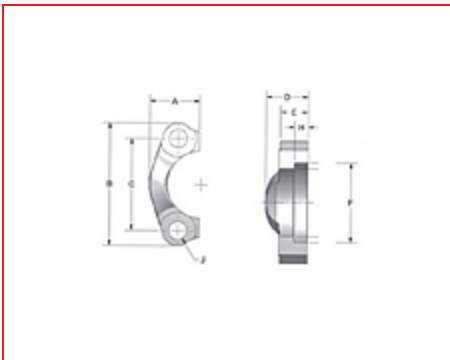
Anchor part # includes: (1) split flange half only.

Kit part # includes: (2) split flange halves, (4) hex head bolts with lock washers, and (1) Fluorocarbon (FKM) O-Ring.

List Price

–

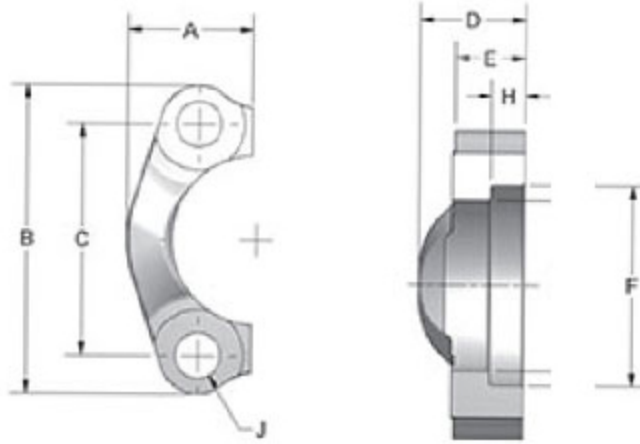
Quote



Specifications

–

Dimension Drawing



SAE J518 Split Stainless Steel Flanges

Type Flange Only

Material Stainless Steel

Code Code 61

Flange Size 1-1/2 in

Dimension A 1.580 in

Dimension B 3.690 in

Dimension C 2.750 in

Dimension D 1.00 in

Dimension E 0.620 in

Dimension F 2.406 in

Dimension G	2.000 in
------------------------	----------

Dimension H	0.295 in
------------------------	----------

Dimension J	0.531 in
------------------------	----------