



**ANCHOR  
FLUID POWER®**

AN ANCHOR FLANGE COMPANY

**ANCHOR FLUID POWER**

**Mailing Address:**

5553 Murray Road,  
Cincinnati, OH 45227

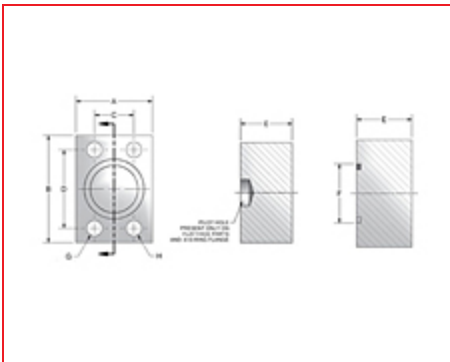
**Phone:** 866.FLANGES

**Fax:** 513.527.4449

**E-Mail:** [sales@anchorfluidpower.com](mailto:sales@anchorfluidpower.com)

**Website:** [www.anchorfluidpow.wpengine.com](http://www.anchorfluidpow.wpengine.com)

## Item # W36-16-16-S/S, 1.00 Inch (in) Pad Size CD61 Blanking 4-Bolt Stainless Steel Flange

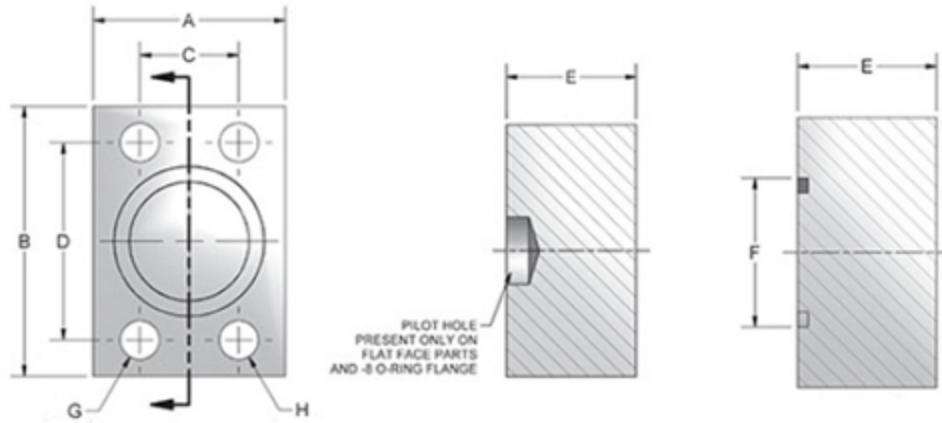


List Price -

Quote

Specifications -

## Dimension Drawing



CD61/CD62 Blanking 4-Bolt Stainless Steel Flanges

**Type** O-Ring

**Material** Stainless Steel

**Code** Code 61

**Pad Size** 1.00 in

**Dimension A** 2.00 in

**Dimension B** 2.820 in

**Dimension C** 1.031 in

**Dimension D** 2.063 in

**Dimension E** 1.450 in

**Dimension F** 1.560 in

<b>Dimension G</b>	0.406 in
------------------------	----------

<b>Mounting Hardware - O-Ring</b>	219
---	-----

<b>Mounting Hardware - SHCS</b>	3/8-16 x 2.25
---	---------------