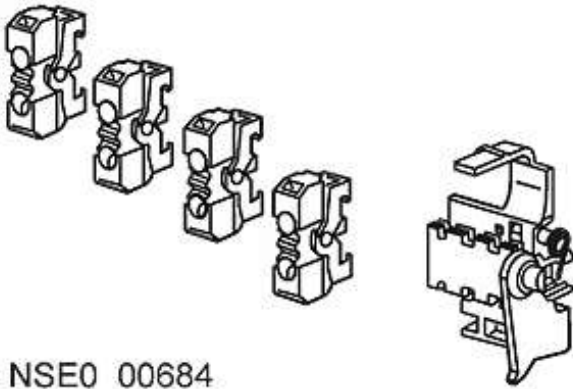


accessory for VL630, VL800, VL1250, VL1600 auxiliary/alarm switch  
kit 2 HS (1NO+1NC)+1 AS (1NO) for mounting on left



NSE0\_00684

## Model

Product brand name SENTRON

## Accessories

accessories Accessories for...1250, VL1004

## Mechanical Design

Net weight 0.08 kg

## Certificates

|                          |     |                           |                   |                   |
|--------------------------|-----|---------------------------|-------------------|-------------------|
| General Product Approval | EMC | Declaration of Conformity | Test Certificates | Shipping Approval |
|--------------------------|-----|---------------------------|-------------------|-------------------|

[Miscellaneous](#)



C-Tick



EG-Konf.

[Special Test Certificate](#)



PRS

|                   |       |
|-------------------|-------|
| Shipping Approval | other |
|-------------------|-------|



RINA



RMRS

[Environmental Conformations](#)

[Miscellaneous](#)

[Confirmation](#)

[Manufacturer Declaration](#)

### Further information

**Information- and Downloadcenter (Catalogs, Brochures,...)**

<http://www.siemens.com/lowvoltage/catalogs>

**Industry Mall (Online ordering system)**

<https://mall.industry.siemens.com/mall/en/en/Catalog/product?mfb=3VL9800-2AE00>

**Service&Support (Manuals, Certificates, Characteristics, FAQs,...)**

<https://support.industry.siemens.com/cs/ww/en/ps/3VL9800-2AE00>

**Image database (product images, 2D dimension drawings, 3D models, device circuit diagrams, ...)**

[http://www.automation.siemens.com/bilddb/cax\\_en.aspx?mfb=3VL9800-2AE00](http://www.automation.siemens.com/bilddb/cax_en.aspx?mfb=3VL9800-2AE00)

**CAX-Online-Generator**

<http://www.siemens.com/cax>

**Tender specifications**

<http://www.siemens.com/specifications>